



## CM-25DW

**The Otari CM-25DW DeWrapper is a machine that automatically removes shrink-wrap film from Amaray type DVD cases. By automating the process that had to be done by hand previously, productivity can be greatly improved. The unique mechanism can securely remove shrink-wrap without damaging the cases. The CM-25DW is suited not only for preparation of DVD resale, but also for preprocessing of disc insertion into rental cases or recycling.**

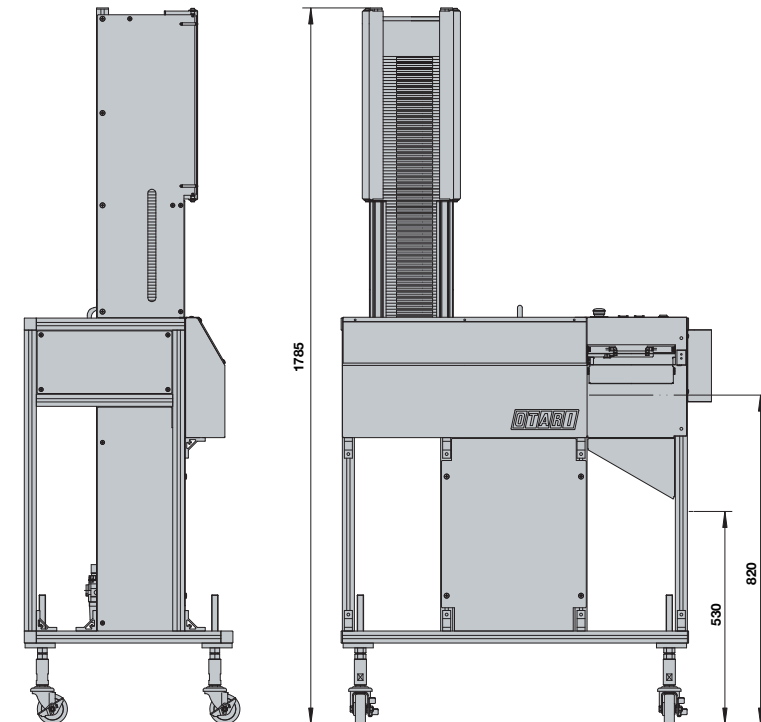
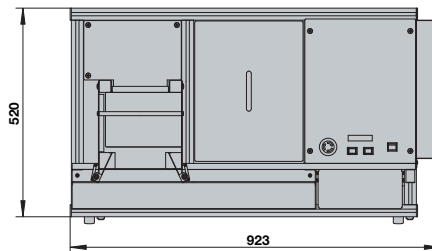
### Features

- Amaray ® type supported
- Case protection mechanism
- Compact design
- Easy and safe operation and maintenance

### Specification

Operating Speed	25 cases per minute
Case Magazine Capacity	27
Supported Case	Amaray ® type DVD tall case (regular)
Case Ejection Height	750 to 790 mm
Controls	POWER switch, LCD, EMERGENCY STOP switch, START button,
Dimensions	See figure below
Weight	63 kg
Electrical Power Supply	100-240 VAC, single phase 50/60 Hz
Power Consumption	Less than 100 VA
Compressed Air Supply	Primary pressure min. 0.6 MPa (dry air)
Compressed Air Consumption	Less than 280 liters per min. (A.N.R.)

Specifications are subject to change without notice or obligation.



unit : mm

# OTARI®

[www.otari.com](http://www.otari.com)

**Otari, Inc.** 4-33-3 Kokuryo-cho, Chofu-shi, Tokyo 182-0022 Japan  
**Otari Singapore Pte., Ltd.** 34 Jalan Jintan Singapore 229021  
**Otari U.S.A. Sales Inc.** 21110 Nordhoff Street, Suite G/H, Chatsworth, CA 91311

☎ +81-424-81-8626 (fax: 8633)  
☎ & fax +65-6738-7807  
☎ +1-818-734-1785 (fax: 1786)

sales@otari.co.jp  
otarisip@singnet.com.sg  
sales@otari.com

©2008 Otari, Inc. 2008-05